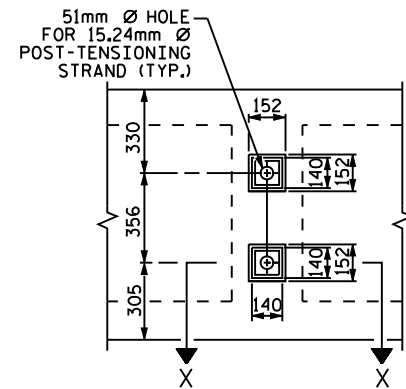
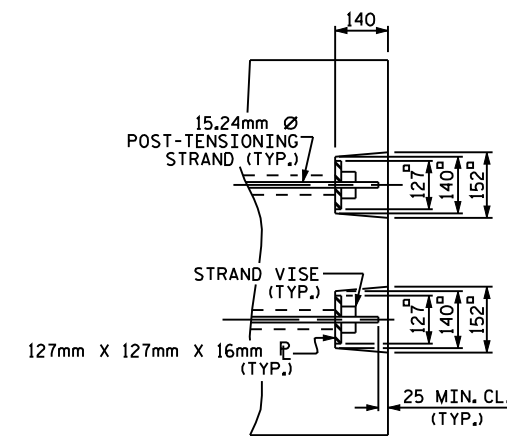


+

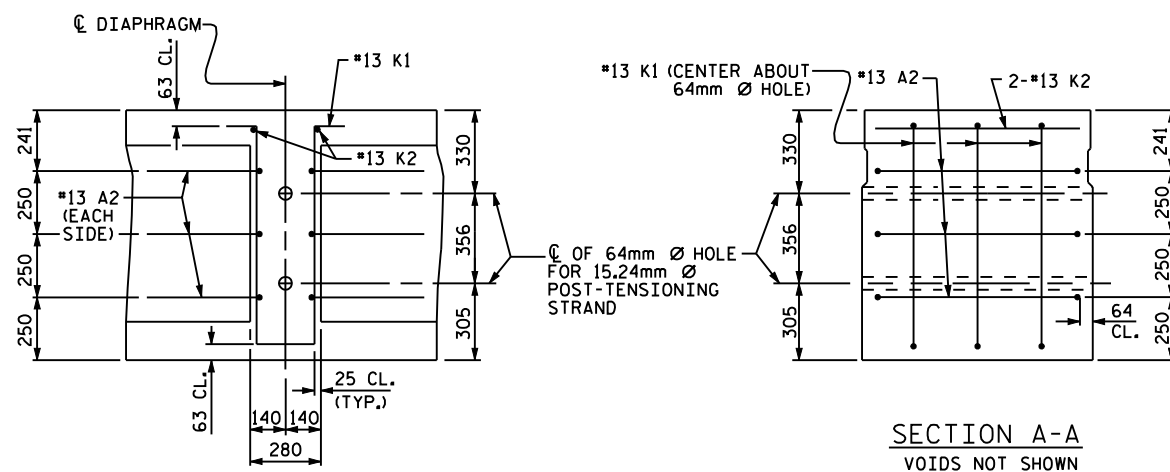


VIEW Y-Y
SHOWING ELEVATION VIEW OF GROUDED RECESS



DETAIL "C"

PLAN

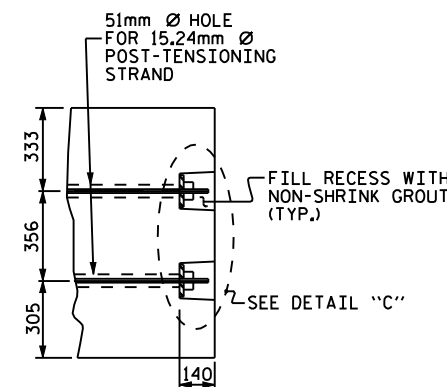


SECTION A-A
VOIDS NOT SHOWN

SECTION D-D

DOUBLE DIAPHRAGM DETAILS

*13 "S" BARS NOT SHOWN. *13 "S" BARS MAY BE SHIFTED SLIGHTLY TO CLEAR 51mm Ø HOLE.



PART SECTION AT RECESS

SECTION X-X
SHOWING PLAN VIEW OF GROUDED RECESS

GROUDED RECESS DETAIL AT
END OF POST-TENSIONED STRAND
OF EXTERIOR BOX BEAM

DEAD LOAD DEFLECTION AND CAMBER			
	914mm x 991mm		
	15.24mm Ø L.R. STRAND		
	SPAN "A"	SPAN "B"	SPAN "C"
CAMBER (BEAM ALONE IN PLACE)			
DEFLECTION DUE TO CONCRETE WEARING SURFACE			
FINAL CAMBER			

PROJECT NO. _____

_____ COUNTY

STATION: _____

SHEET _ OF _

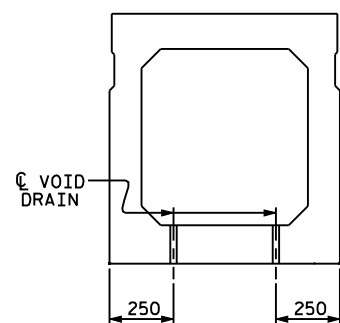
STATE OF NORTH CAROLINA
DEPARTMENT OF TRANSPORTATION
RALEIGH

STANDARD

914mm X 991mm
PRESTRESSED CONCRETE
BOX BEAM UNIT

REVISIONS						SHEET NO.
NO.	BY:	DATE:	NO.	BY:	DATE:	TOTAL SHEETS
1			3			
2			4			

USE .0014 X
FOR PE SEAL SCALE



SECTION B-B

PART PLAN

VOID DRAIN DETAILS

(DIMENSIONS SHOWN ARE TYPICAL FOR EACH VOID)

ASSEMBLED BY :	DATE :
CHECKED BY :	DATE :
DRAWN BY : TLA 5/05	ADDED 7/11/05
CHECKED BY : GM 6/05	REV. 5/1/06 TLA/GM

*****SYTIME*****
*****DGN*****
*****USERNAME*****

STD. NO. PCBB7SM

+